



**MVT 665 / 675**

# MANISCOPIC MVT 665 T/675 T



600

MVT 665T MVT675T  
.....6500 .....7500



MVT 665T MVT675T  
.....6.00 .....5.90



MICHELIN  
MVT 665 .....18 - 22.5 T35 16 PR TL  
MVT 675 .....18 - 22.5 XF



( ) .....1200  
.....200 X 60  
.....1430  
.....MVT 665 T ....135°  
.....MVT 675 T ....115°



Î öëüðèàèñèîî à Úà ÿ î ãððæî Úà òî ðî î çà



PERKINS, EUR III  
.....1004.4 Turbo  
.....4 - 3990 3  
(DIN 70-020) .....106 . /78  
.....2300 /



2 2 .....25 /



.....275 /140 /

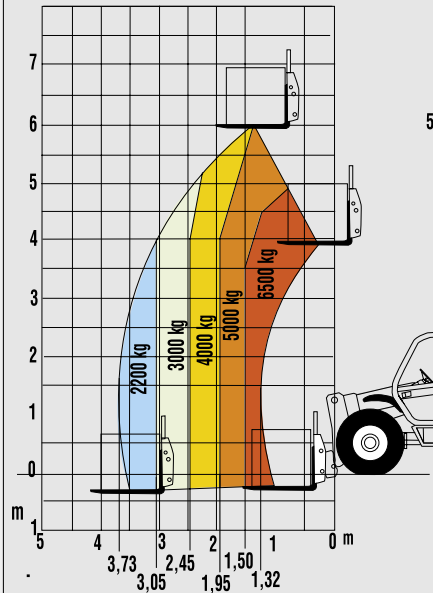


.....15  
.....8.1  
.....110  
.....100

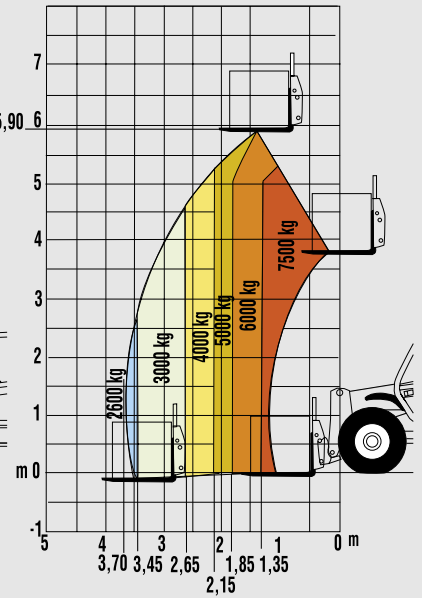


MVT 665T MVT 675T  
( ) .....11400 .....12100  
.....2.44 .....2.44  
.....2.51 .....2.51  
( ) ...3.57 .....3.57  
.....4.67 .....4.67  
.....0.49 .....0.49  
.....10100 ....10100

## MVT 665 T

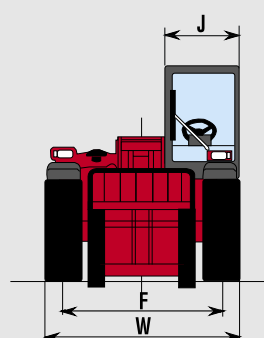
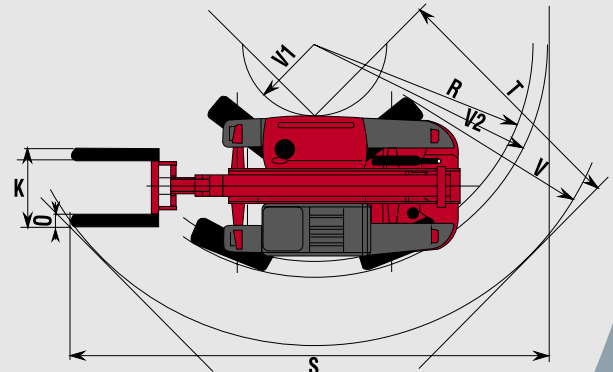
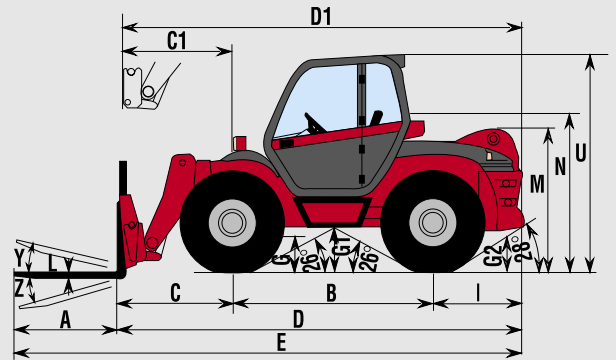


## MVT 675 T



EN 1459 B

A	1200
B	2500
C	1010
C1	870
D	4670
D1	4530
E	5870
F	1990
G	400
G1	490
G2	400
I	1160
J	865
K	1430
L	60
M	1850
N	1890
O	200
R	3340
S	7025
T	3950
U	2510
V	4450
V1	950
V2	3565
W	2440
Y	11°
Z	124°



E-mail: sale@cvh.ru

E-mail: ural@cvh.ru

E-mail: spb@cvh.ru

E-mail : info@cvh.ru

Tel: +7 495 925 51 19

Web : http://www.cvh.ru

CVH material handling