



PEDESTRIAN ELECTRIC

PALLET TRUCKS



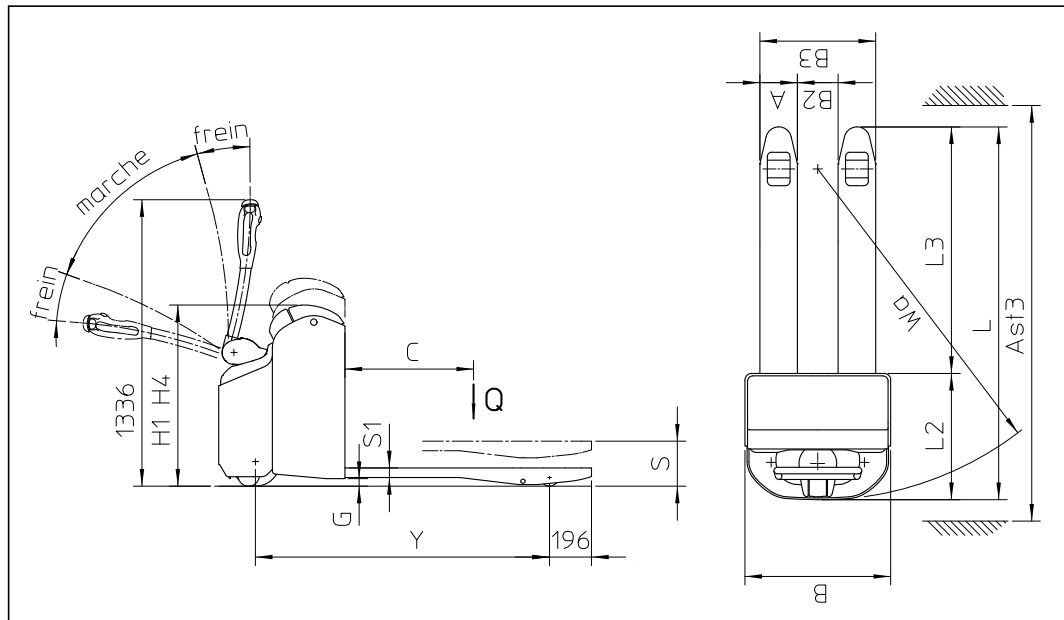
E series

E series : E 16 - E 18 ac - E 20 ac - E 22



Pedestrian electric pallet trucks

Designation	1.1 1.2 1.3 1.4 1.5 1.6 1.8 1.9	Manufacturer Model type Powered by: battery, diesel, petrol, LPG, mains electric Driving method: manual, walk-along, upright, seated, preparation Nominal capacity Height to centre of gravity Distance from fork face to track wheels (in raised pos'n) Wheelbase (drive axle to track wheels), top/bottom position	Q C x y	t mm mm mm	LOC			
					E 16 Battery Pedestrian 1,6 600 953 1263/1203	E 18 ac Battery Pedestrian 1,8 600 953 1372/1312	E 20 ac Battery Pedestrian 2 600 953 1372/1312	E 22 Battery Pedestrian 2,2 600 953 1452/1392
Weights	2.1	Weight in working order		kg	445	480	482	560
	2.2	Axle loading when load (front/rear)		kg	839/1206	1002/1278	1077/1405	1286/1474
	2.3	Axle loading when unload (front/rear)		kg	311/134	336/144	337/145	392/168
Wheels	3.1	Tyres (front/rear)			Polyurethane	Polyurethane	Polyurethane	Polyurethane
	3.2	Front wheel dimensions (dia x width)		mm	1x(230x75)	1x(230x75)	1x(230x75)	1x(230x75)
	3.3	Rear wheel dimensions (dia x width)		mm	2x(82x100)	2x(82x100)	4x(82x70)	4x(82x70)
	3.4	Outrigger dimensions		mm	2x(100x40)	2x(100x40)	2x(100x40)	2x(100x40)
	3.5	Number of wheels front / rear (x = drive wheel)			1x2/2	1x2/2	1x2/4	1x2/4
	3.6	Track centres, front	b10	mm	435	435	435	435
	3.7	Track centres, rear	b11	mm	365 - 505	365 - 505	365 - 505	365 - 505
Dimensions	4.4	Standard lift	h3	mm	125	125	125	125
	4.9	Handle height in driving position	h14	mm	1336	1336	1336	1336
	4.15	Fork height when lowered	h13	mm	85 ± ⁵	85 ± ⁵	85 ± ⁵	85 ± ⁵
	4.19	Overall length	l1	mm	1630	1739	1739	1819
	4.20	Length to front face of forks	l2	mm	480	589	589	669
	4.21	Overall width	b1	mm	680	680	680	680
	4.22	Fork dimensions (thick x wide x long)	s/e/l	mm	45x175x1150	45x175x1150	45x175x1150	45x175x1150
	4.25	Fork Pitch	b5	mm	540 - 680	540 - 680	540 - 680	540 - 680
	4.32	Ground clearance at centre of wheelbase	m2	mm	35	35	35	35
	4.34	Aisle width with 800x1200 pallet lengthwise (b12xl6)	AST	mm	1830	1939	1939	2019
4.35	Turning radius (top/bottom position)	WVa	mm	1435/1375	1544/1484	1544/1484	1624/1564	
Performance	5.1	Travel speed load/unload		km/h	5,8/6	5,8/6	5,8/6	5,6/6
	5.2	Lifting speed, load/unload		m/s	0,030/0,038	0,030/0,038	0,029/0,038	0,028/0,038
	5.3	Lowering speed, load/unload		m/s	0,050/0,045	0,049/0,028	0,049/0,028	0,052/0,045
	5.8	Maximum slope laden/unladen (S2 5 min)		%	10/25	10/25	10/25	10/25
	5.10	Drive brake			Electromagnetic	Electromagnetic	Electromagnetic	Electromagnetic
	5.11	Parking brake			Handle release	Handle release	Handle release	Handle release
Drive unit	6.1	Drive motor power (S2 60 min)		kW	1	1,2	1,2	1
	6.2	Lift motor power (S3 10%)		kW	1	0,8	0,8	1
	6.3	Battery type as per standard DIN 43531/35/36,A,B,C			Traction	Traction	Traction	Traction
	6.4	Battery voltage and capacity		V/Ah	24/150	24/180(240)	24/180(240)	24/270(360)
	6.5	Battery weight (+- 5%)		kg	150	180/250	180/250	270/360
Misc	8.1	Speed control			Sepex Mastfet Variator	Sepex AC Variator	Sepex AC Variator	Sepex Mastfet Variator
	8.4	Average sound level at driver's ears (translation)		dB (A)	65	65	65	65



Manufacturer :

Distributed by :

MLM Z.I., 5, Avenue du Vert-Galant - 95310 SAINT-OUEN L'AUMONE - FRANCE
Tél. : +33 (0) 1.34.32.65.06 or 08 - Fax : +33 (0) 1.34.32.65.10
www.loc.fr