



***RIDE ON
ELECTRIC
PALLET TRUCKS***

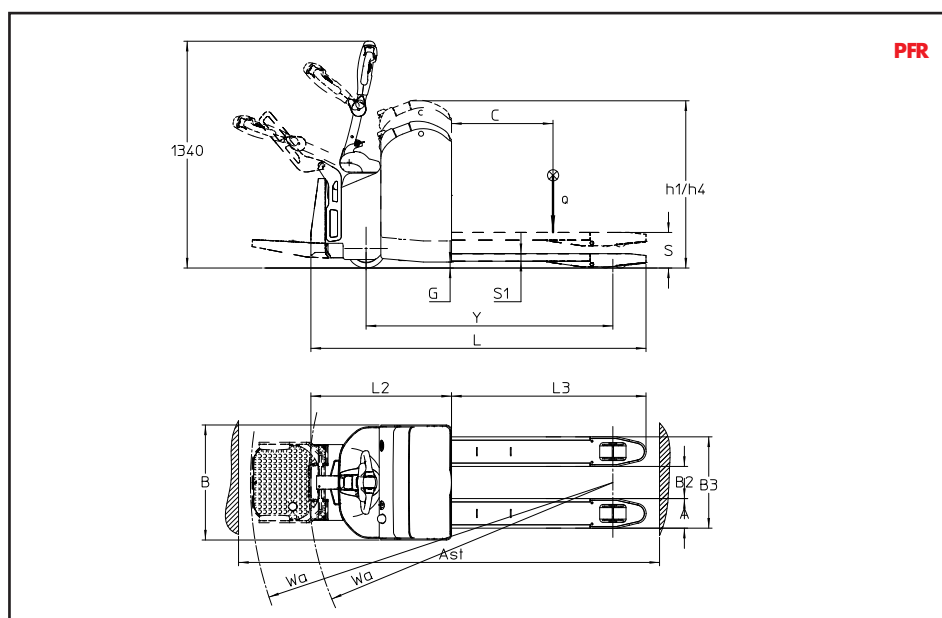


E series

E 22 PFR with folding platform



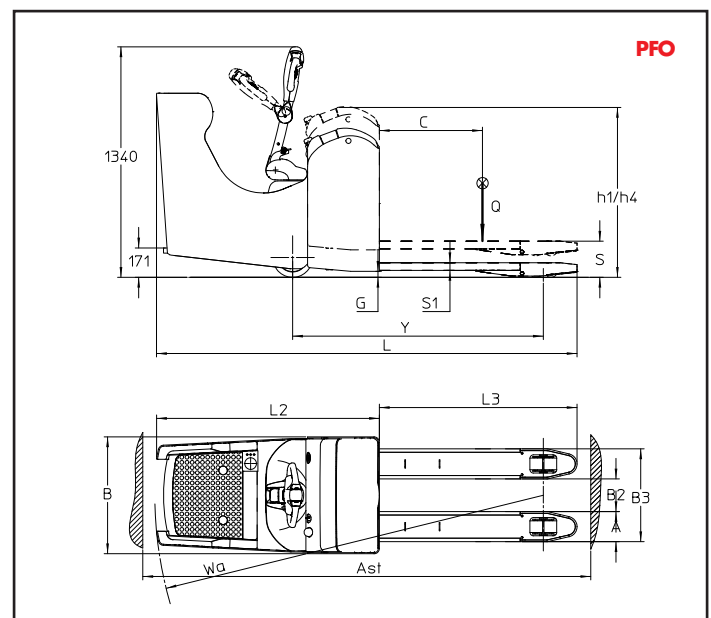
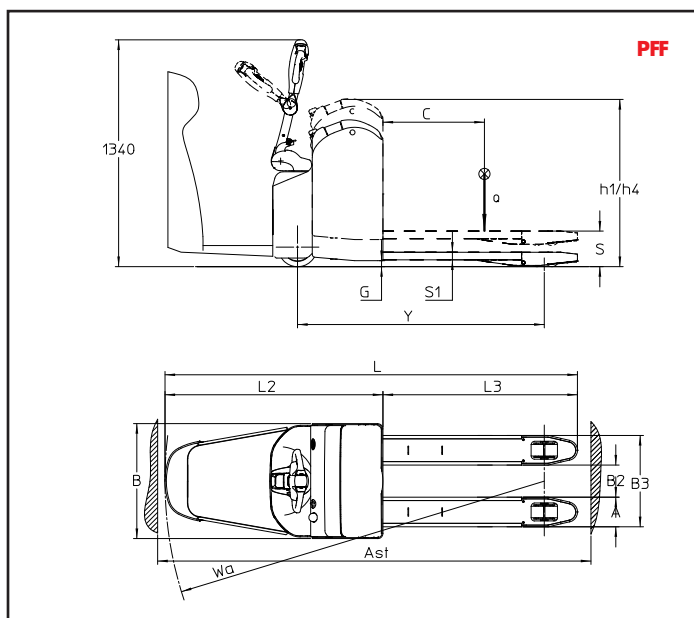
| Designation | 1.1 1.2 1.3 1.4 1.5 1.6 1.8 1.9 | Manufacturer Model type Powered by: battery, diesel, petrol, LPG, mains electric Driving method: manual, walk-along, upright, seated, preparation Nominal capacity Height to centre of gravity Distance from fork face to track wheels (in raised pos'n) Wheelbase (drive axle to track wheels), top/bottom position | Q C x y | t mm mm mm | LOC | |
|-------------|--|---|------------------|---------------------|-----------------------|-----------------|
| | | | | | E 22 PFR6 | E 22 PFR9 |
| Weights | 2.1 | Weight in working order | | kg | 600 | 605 |
| | 2.2 | Axle loading when load (front/rear) | | kg | 1234/1566 | 1237/1568 |
| | 2.3 | Axle loading when unload (front/rear) | | kg | 420/180 | 425/182 |
| Wheels | 3.1 | Tyres (front/rear) | | | Polyurethane | Polyurethane |
| | 3.2 | Front wheel dimensions (dia x width) | | mm | 1x(230x75) | 1x(230x75) |
| | 3.3 | Rear wheel dimensions (dia x width) | | mm | 4x(82x70) | 4x(82x70) |
| | 3.4 | Outrigger dimensions | | mm | 2x(120x40) | 2x(120x40) |
| | 3.5 | Number of wheels front / rear (x = drive wheel) | | | 1x2/4 | 1x2/4 |
| | 3.6 | Track centres, front | b10 | mm | 435 | 435 |
| | 3.7 | Track centres, rear | b11 | mm | 365 - 505 | 365 - 505 |
| Dimensions | 4.4 | Standard lift | h3 | mm | 125 | 125 |
| | 4.9 | Handle height in driving position | h14 | mm | 1340 | 1340 |
| | 4.15 | Fork height when lowered | h13 | mm | 85 ±5 | 85 ±5 |
| | 4.19 | Overall length | l1 | mm | 2329 (1979) | 2329 (1979) |
| | 4.20 | Length to front face of forks | l2 | mm | 1179 (829) | 1179 (829) |
| | 4.21 | Overall width | b1 | mm | 680 | 680 |
| | 4.22 | Fork dimensions (thick x wide x long) | s/e/l | mm | 45x175x1150 | 45x175x1150 |
| | 4.25 | Fork Pitch | b5 | mm | 540 - 680 | 540 - 680 |
| | 4.32 | Ground clearance at centre of wheelbase | m2 | mm | 35 | 35 |
| | 4.34 | Aisle width with 800x1200 pallet lengthwise (b12xl6) | AST | mm | 2530 (2180) | 2579 (2199) |
| 4.35 | Turning radius (top/bottom position) | Wa | mm | 2130 (2070) | 2130 (2070) | |
| Performance | 5.1 | Travel speed load/unload | | km/h | 5,6/6 | 8,5/9 |
| | 5.2 | Lifting speed, load/unload | | m/s | 0,29/0,38 | 0,29/0,38 |
| | 5.3 | Lowering speed, load/unload | | m/s | 0,5/0,45 | 0,5/0,45 |
| | 5.8 | Maximum slope laden/unladen (S2 5 min) | | % | 10/20 | 12/20 |
| | 5.10 | Drive brake | | | Electromagnetic | Electromagnetic |
| | 5.11 | Parking brake | | | Handle release | Handle release |
| Drive unit | 6.1 | Drive motor power (S2 60 min) | | kW | 1 | 1,4 |
| | 6.2 | Lift motor power (S3 10%) | | kW | 1 | 1 |
| | 6.3 | Battery type as per standard DIN 43531/35/36,A,B,C | | | Traction | Traction |
| | 6.4 | Battery voltage and capacity | | V/Ah | 24V/270 (360) | 24V/270 (360) |
| | 6.5 | Battery weight (+ 5%) | | kg | 270/360 | 270/360 |
| Misc | 8.1 | Speed control | | | Sepex Mosfet Variator | |
| | 8.4 | Average sound level at driver's ears (translation) | | dB (A) | 65 | 65 |



E 22 PFF PFO with fixed platform



| Designation | 1.1 1.2 1.3 1.4 1.5 1.6 1.8 1.9 | Manufacturer Model type Powered by: battery, diesel, petrol, LPG, mains electric Driving method: manual, walk-along, upright, seated, preparation Nominal capacity Height to centre of gravity Distance from fork face to track wheels (in raised pos'n) Wheelbase (drive axle to track wheels), top/bottom position | Q C x y | t mm mm mm | LOC | |
|-------------|--|---|------------------|---------------------|-----------------------|-----------------|
| | | | | | E 22 PFF | E 22 PFO |
| Weights | 2.1 | Weight in working order | | kg | 610 | 615 |
| | 2.2 | Axle loading when load (front/rear) | | kg | 1239/1571 | 1244/1576 |
| | 2.3 | Axle loading when unload (front/rear) | | kg | 425/185 | 432/190 |
| Wheels | 3.1 | Tyres (front/rear) | | | Polyurethane | Polyurethane |
| | 3.2 | Front wheel dimensions (dia x width) | | mm | 1x(230x75) | 1x(230x75) |
| | 3.3 | Rear wheel dimensions (dia x width) | | mm | 4x(82x70) | 4x(82x70) |
| | 3.4 | Outrigger dimensions | | mm | 2x(120x40) | 2x(120x40) |
| | 3.5 | Number of wheels front / rear (x = drive wheel) | | | 1x2/4 | 1x2/4 |
| | 3.6 | Track centres, front | b10 | mm | 435 | 435 |
| | 3.7 | Track centres, rear | b11 | mm | 365 - 505 | 365 - 505 |
| Dimensions | 4.4 | Standard lift | h3 | mm | 125 | 125 |
| | 4.9 | Handle height in driving position | h14 | mm | 1340 | 1340 |
| | 4.15 | Fork height when lowered | h13 | mm | 85 ±5 | 85 ±5 |
| | 4.19 | Overall length | l1 | mm | 2444 | 2447 |
| | 4.20 | Length to front face of forks | l2 | mm | 1179 | 1296 |
| | 4.21 | Overall width | b1 | mm | 680 | 680 |
| | 4.22 | Fork dimensions (thick x wide x long) | s/e/l | mm | 45x175x1150 | 45x175x1150 |
| | 4.25 | Fork Pitch | b5 | mm | 540 - 680 | 540 - 680 |
| | 4.32 | Ground clearance at centre of wheelbase | m2 | mm | 35 | 35 |
| | 4.34 | Aisle width with 800x1200 pallet lengthwise (b12xl6) | AST | mm | 2640 | 2647 |
| 4.35 | Turning radius (top/bottom position) | Wa | mm | 2130 (2070) | 2260 (2190) | |
| Performance | 5.1 | Travel speed load/unload | | km/h | 8,5/9 | 8,5/9 |
| | 5.2 | Lifting speed, load/unload | | m/s | 0,29/0,38 | 0,29/0,38 |
| | 5.3 | Lowering speed, load/unload | | m/s | 0,5/0,45 | 0,5/0,45 |
| | 5.8 | Maximum slope laden/unladen (S2 5 min) | | % | 12/20 | 12/20 |
| | 5.10 | Drive brake | | | Electromagnetic | Electromagnetic |
| | 5.11 | Parking brake | | | Handle release | Handle release |
| Drive unit | 6.1 | Drive motor power (S2 60 min) | | kW | 1,4 | 1,4 |
| | 6.2 | Lift motor power (S3 10%) | | kW | 1 | 1 |
| | 6.3 | Battery type as per standard DIN 43531/35/36,A,B,C | | | Traction | Traction |
| | 6.4 | Battery voltage and capacity | | V/Ah | 24V/270 (360) | 24V/270 (360) |
| | 6.5 | Battery weight (+ 5%) | | kg | 270/360 | 270/360 |
| Misc | 8.1 | Speed control | | | Sepex Mosfet Variator | |
| | 8.4 | Average sound level at driver's ears (translation) | | dB (A) | 65 | 65 |





E 22 PFR6



E 22 PFF



E 22 PFR9



E 22 PFO



MLM

Zone Industrielle, 5, Avenue du Vert-Galant
95310 SAINT-OUEN L'AUMONE - FRANCE

Tél. : +33 (0) 1.34.32.65.06 or 08 - Fax : +33 (0) 1.34.32.65.10

www.loc.fr

