



PEDESTRIAN ELECTRIC

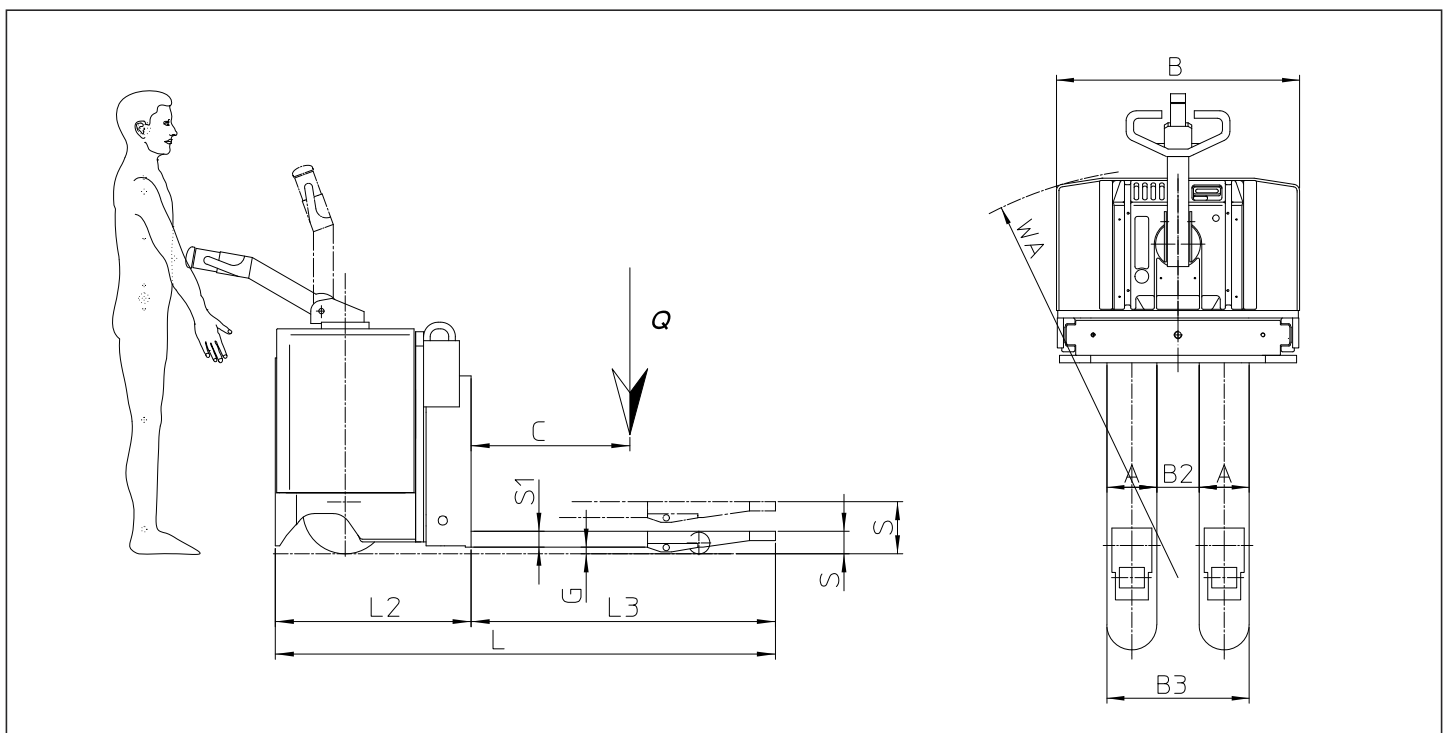
PALLET TRUCKS



TURBOLOC

Pedestrian operated electric pallet trucks

Designation	1 2	Manufacturer Model			LOC		
					Turboloc 300	Turboloc 400	Turboloc 500
Specifications	3	Driving method			Pedestrian		
	4	Nominal load capacity	Q	t	3	4	5
	5	Nominal load centre	C	mm	600	600	600
Forks	6	Standard length	L3	mm	1150	1150	1150
	7	Standard external width	B3	mm	570/700	570/700	570/700
	8	Standard internal width	B2	mm	170/300	170/300	170/300
	9	Arm cross section (width x thickness)	A x S1	mm	200x60	200x60	200x60
	10	Distance from ground to fork top, low position	S	mm	85 ⁺⁵ ₀	85 ⁺⁵ ₀	85 ⁺⁵ ₀
	11	Distance from ground to fork top, high position	S	mm	195 ⁺⁵ ₀	195 ⁺⁵ ₀	195 ⁺⁵ ₀
	12	Lift		mm	110	110	110
Dimensions	13	Overall length with 1150 mm fork	L	mm	1890	1890	1890
	14	length without fork	L2	mm	740	740	740
	15	Overall chassis width	B	mm	975	975	975
	16	Overall chassis height		mm	860	860	860
	17	Ground clearance under chassis	G	mm	25	25	25
	18	Turning radius (fork lowered / lifted)	W _a	mm	1645/1605	1645/1605	1645/1605
Weight	19	Net weight without battery (1150 mm fork)		kg	870	870	910
	20	Batteries net weight 180-315 A/h		kg	180 - 315		
Wheels	21	1 polyurethane drive & directing wheel (D x L)		mm	1(320x120)	1(320x120)	1(320x120)
	22	2 polyurethane stabilising wheels (D x L)		mm	2 x 150 x 50	4 x 120 x 50	4 x 120 x 50
	23	Polyurethane load bearing castors or bogies Q (D x L)		mm	4 x 80 x 100	4 x 80 x 100	4 x 80 x 100
Performances	24	Maximum gradient (10 m) unload/load		%	8 / 5	8 / 5	8 / 5
	25	Driving speed unload/load		km/h	6 / 5	6 / 5	6 / 5
	26	Stacking aisle with pallet 1000 x 1200 mm	Ast	mm	2090	2090	2090
Power	27	Drive and lifting motor		kW	1,7/2	1,7/2	1,7/2
	28	Speed control		type	Electromagnetic + current reverse on controller		
	29	Brakes		type	Sepex		
	30	Lifting motor 24 V (S3 -10%)		kW	2	2	3
	31	Traction battery 24 V		A/h	180 - 315	315	315
	32	Charger with electronic regulation, mono 220V		Amp	20 A	30 A	30 A



Manufacturer :

Dealer :

MLM Z.I., 5, Avenue du Vert-Galant - 95310 SAINT-OUEN L'AUMONE - FRANCE
 Tél. : +33 (0) 1.34.32.65.06 or 08 - Fax : +33 (0) 1.34.32.65.10
www.loc.fr